

Burns and Ferrall Locations

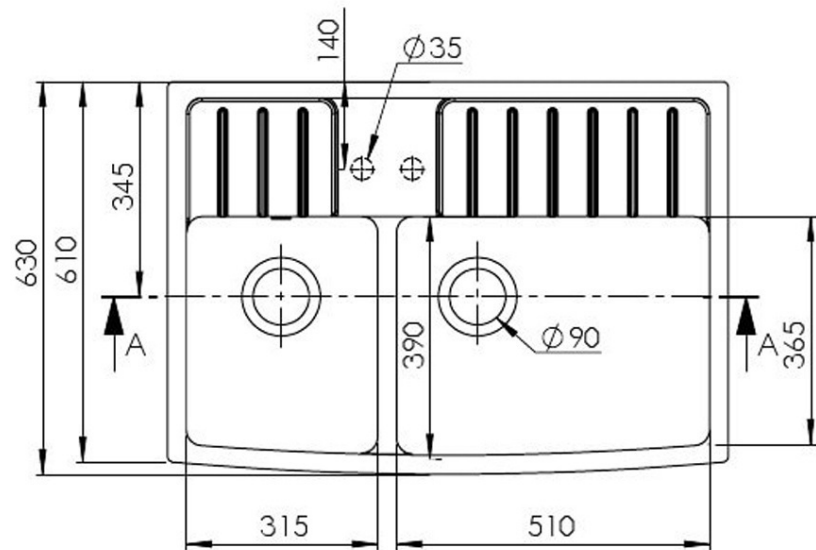
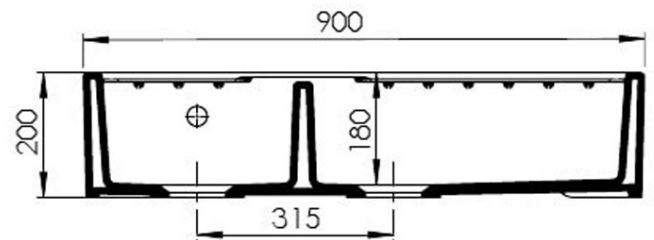
AUCKLAND
12 Reg Savory Place
East Tamaki, Auckland

0800 697 465

WELLINGTON
122-124 Tory Street
Te Aro

HAMILTON
60 Alexandra Street
Central

CHRISTCHURCH
345 St Asaph Street
Christchurch

**Product Specification Sheet
CLOTAIRE-III****CLOTAIRE III**

- Premium French Fireclay
- Thermal Shock resistant
- Includes waste and overflow
- INCLUDES 2 WASTES
- 1 OVERFLOW

E&OE – it is recommended all measurements are taken directly from the product. Specification subject to change without notice, always consult the literature supplied with the product. Coloured images are indicative only.